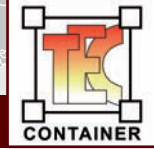
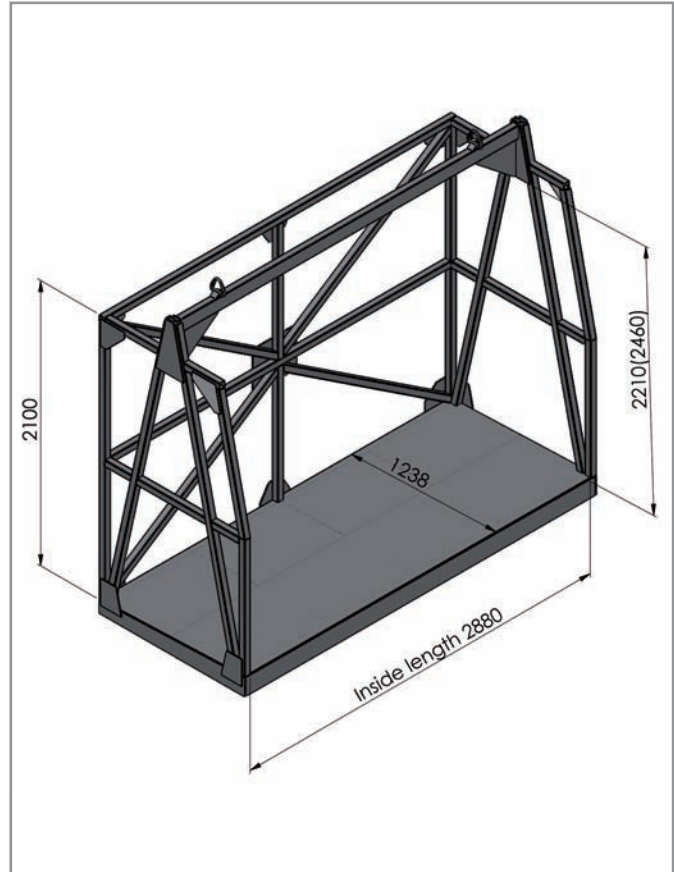
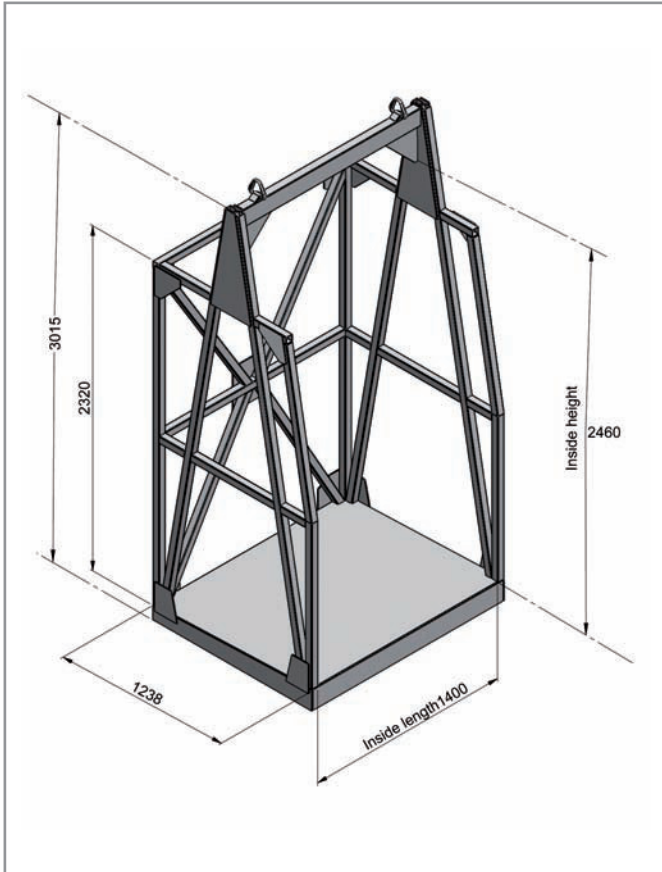




"The world is our business"



EL-14: Pallet Lifter



Simple, Double and Quadruple Versions Available.

The double version is ready to lift up to 3.5 Tons.

Dimensions under customer request.

Non conventional Loads