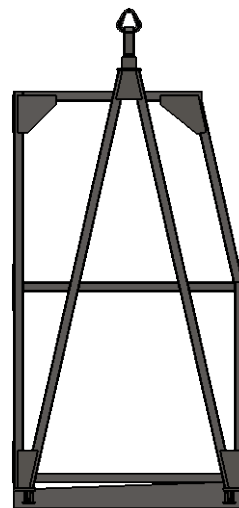
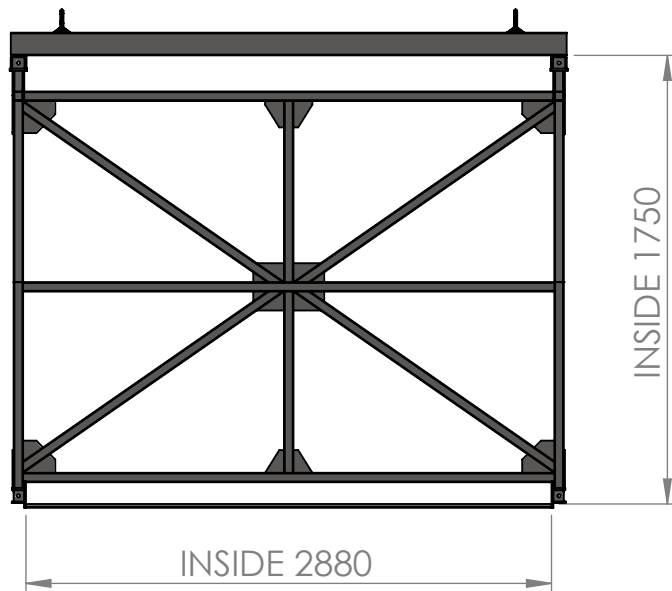
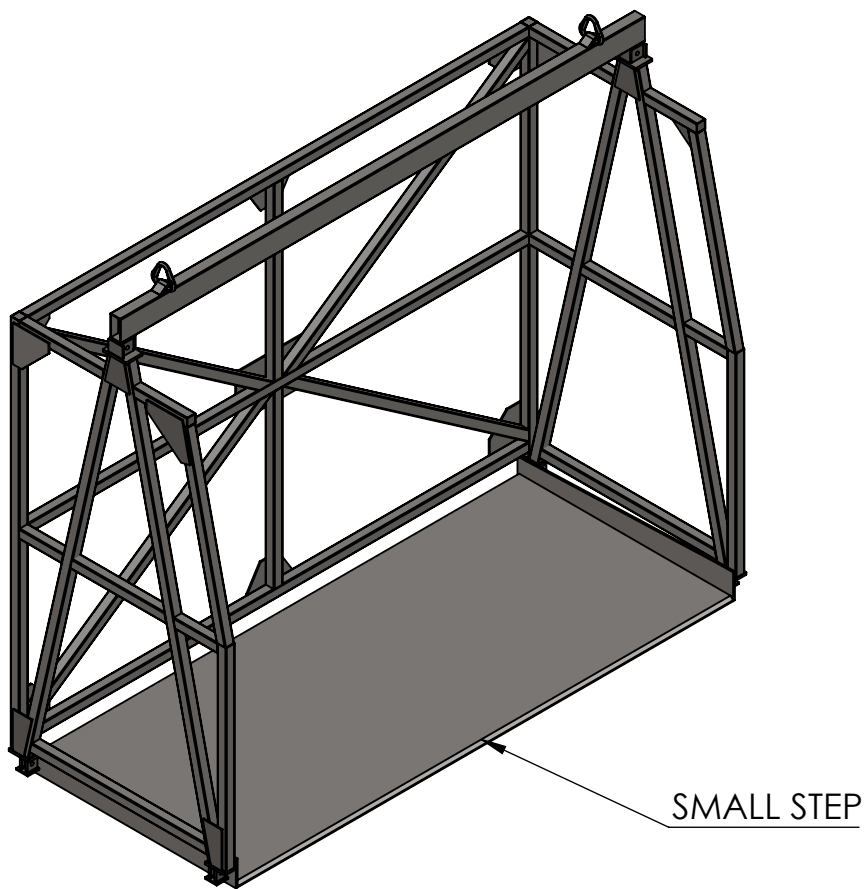


THIS DRAWING IS VALID ONLY FOR COMERCIAL PURPOSES

This document must not be copied without our written permission and the contents thereof must not be imparted to a third party nor be used for any unauthorized purpose. Contravention will be prosecuted



**SWL=4t**



**TEC CONTAINER S.A.**

Tel: + 34 91 302 16 38  
Fax: + 34 91 766 42 79  
tecontainer@tecontainer.com  
<http://www.tecontainer.com>



**PALLET LIFTING CAGE  
(DOUBLE)**

**EL-14A-2P**